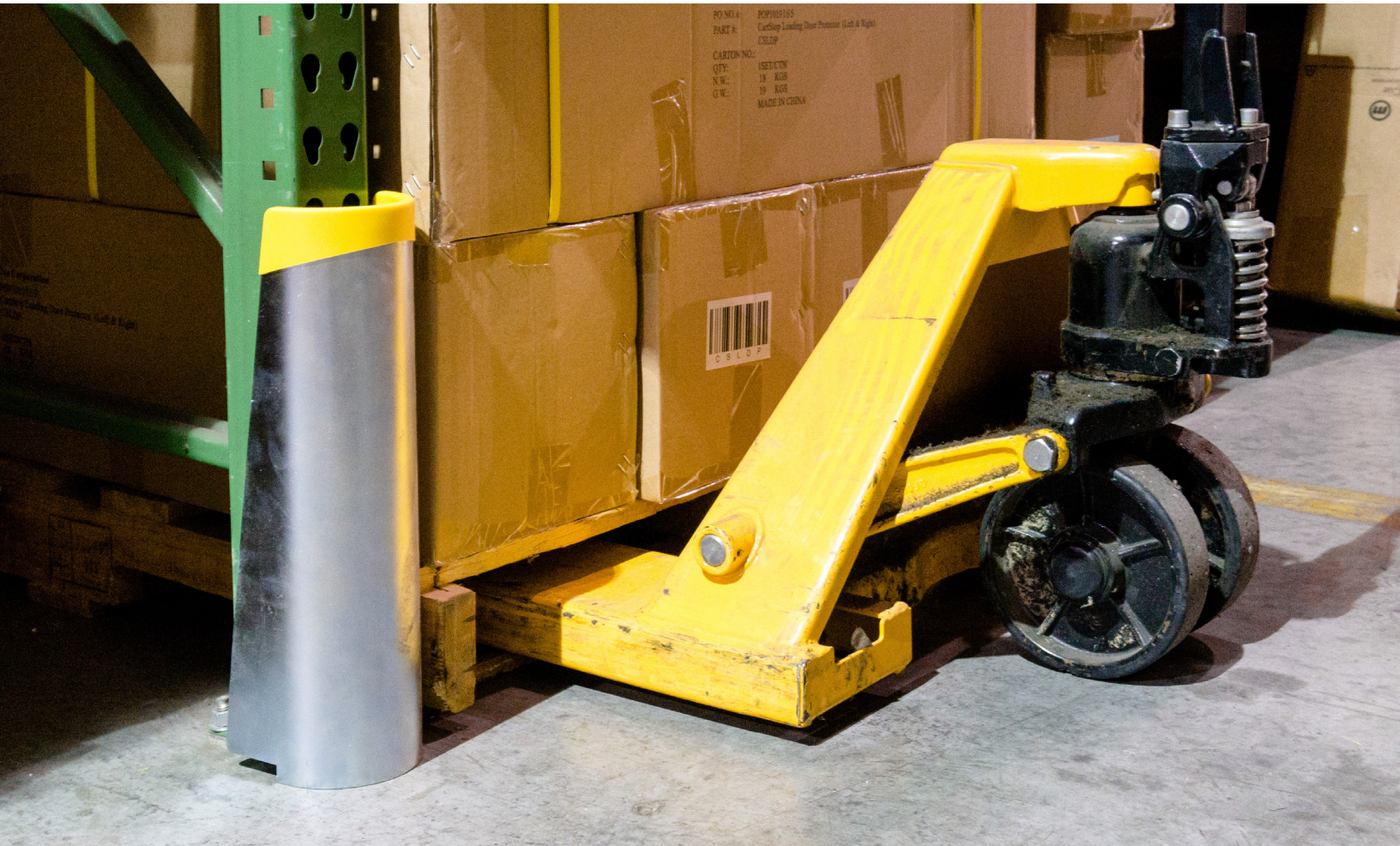


Shock-Absorbing Rack Guard



The biggest shock you'll never notice.

Hit an ordinary rack guard hard enough and the concrete will give up its hold. We engineered ours smarter—with a built in industrial-grade shock-absorber that takes stronger hits. That means your rack, floor and equipment are safer—so your business can move faster.

Shock-Absorbing Protect the integrity of rack columns from accidental impacts

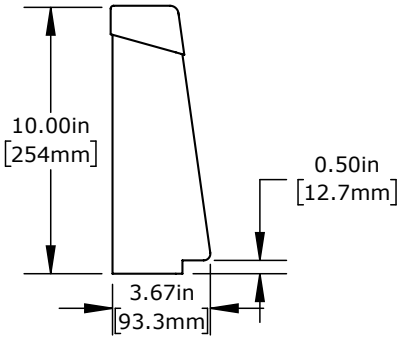
Half-Moon Profile Produces a smooth, seamless finish that deflects impacts

Zero Maintenance Protect against rust and corrosion

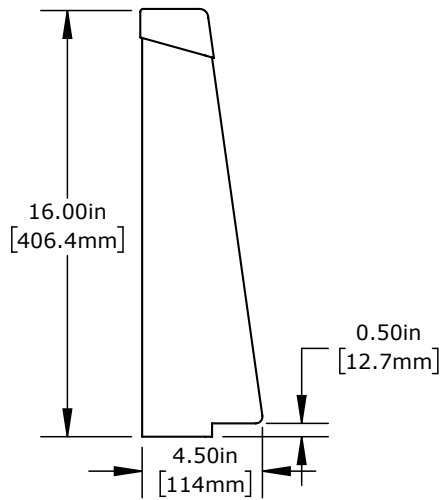


Available at
amazon

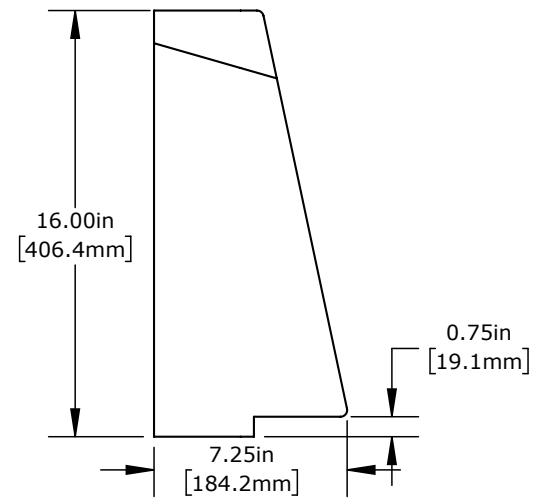
Shock-Absorbing Rack Guard



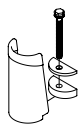
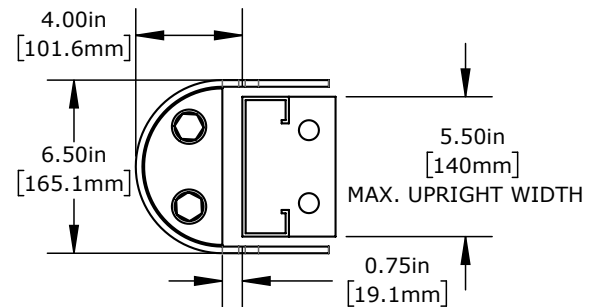
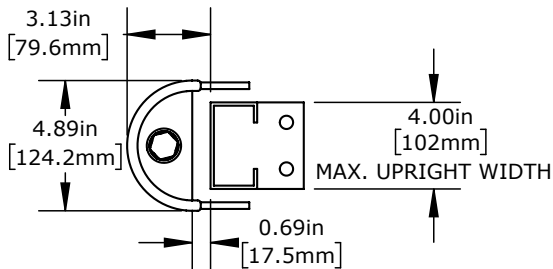
**10" Rack Guard
for Standard Racks**



**16" Rack Guard
for Standard Racks**



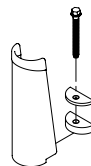
**16" Rack Guard
for Wide Racks**



10"/250mm Shock-Absorbing Rack Guard

CSRG-SHOCK-10-KIT

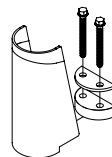
Materials: Zinc plated steel
Shock-Absorbing Rack Guard, rubber damper,
anchor kit



16"/400mm Shock-Absorbing Rack Guard

CSRG-SHOCK-16-KIT

Materials: Zinc plated steel
Shock-Absorbing Rack Guard, rubber damper,
anchor kit



16"/400mm Shock-Absorbing Rack Guard XL For racks wider than 4"

CSRG-SHOCK-16XL-KIT

Materials: Zinc plated steel
Shock-Absorbing Rack Guard, rubber damper,
anchor kit